

BASIN INSTRUCTIONS

300, 400 and 400i SERIES

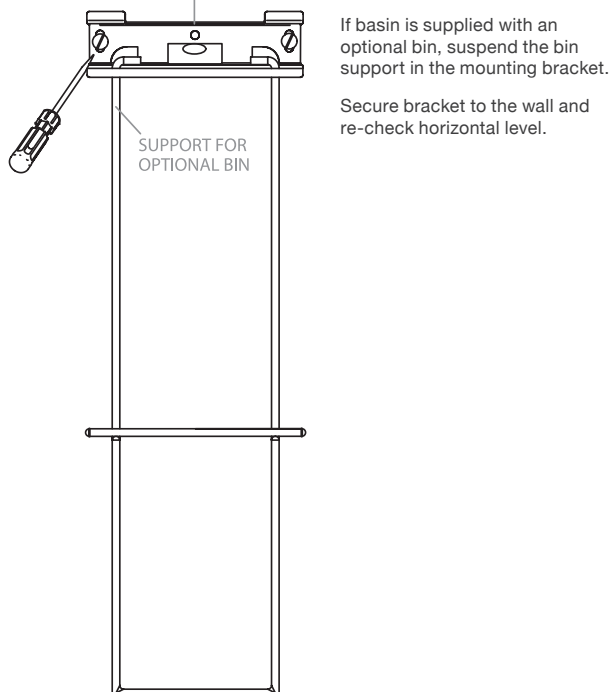
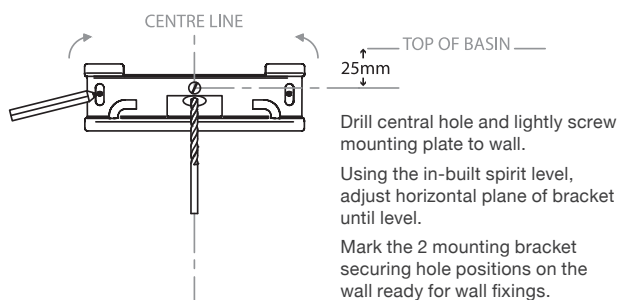
BASIX
manufactured by **MECHLINE**

Thank you for purchasing your BaSix product.

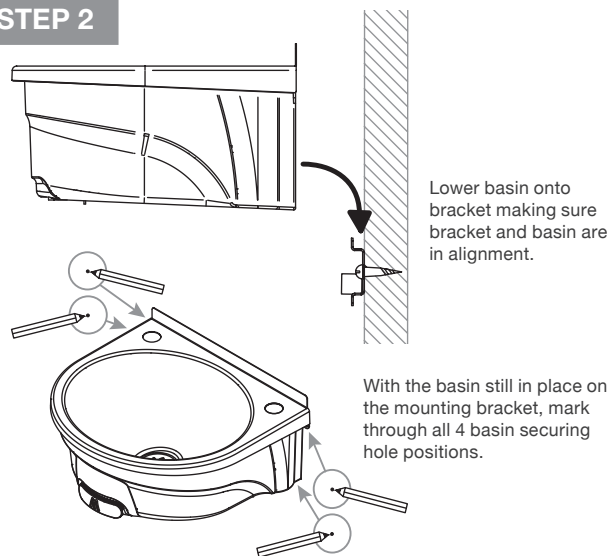
⚠ Fit chosen furniture and waste assembly to the basin before following these instructions.

- Balanced water pressure supplies required. Pressure range 1.5-3 Bar.
- Mechline accept no responsibility for the water integrity of fittings.
- Joint seals to be made using PTFE tape ONLY.
NO JOINTING COMPOUNDS to be used under any circumstances.

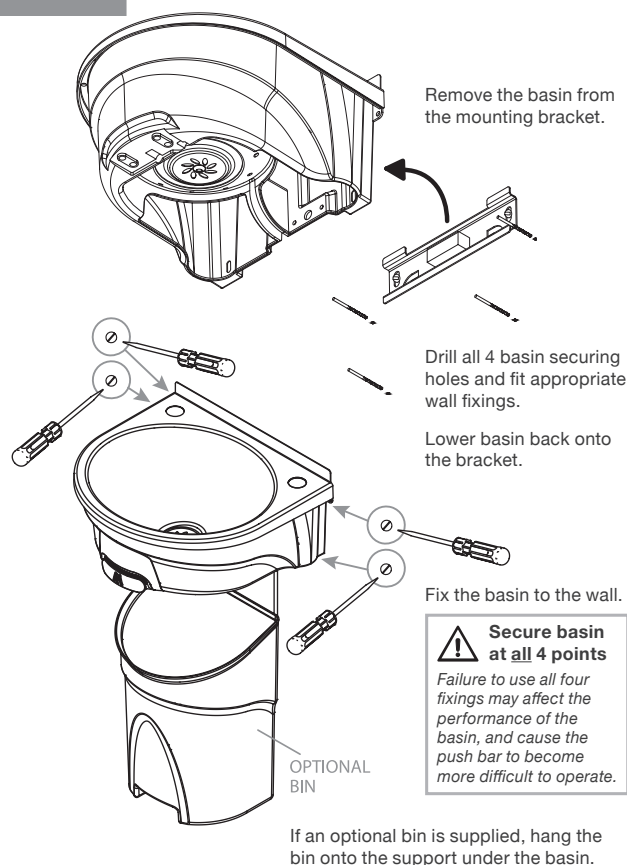
STEP 1



STEP 2



STEP 3



⚠ Secure basin at all 4 points
Failure to use all four fixings may affect the performance of the basin, and cause the push bar to become more difficult to operate.



NOTE: Basin may run for an extended period when first installed. Leave water running until basin automatically resets. This may take a few minutes.